

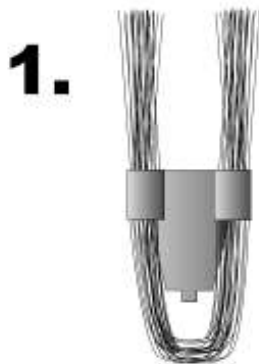
# Smi-Carr, Inc.

*Inventors of the Original Whisker®*



## RailRoad Loop Stake Chaser®

### Installation Guide



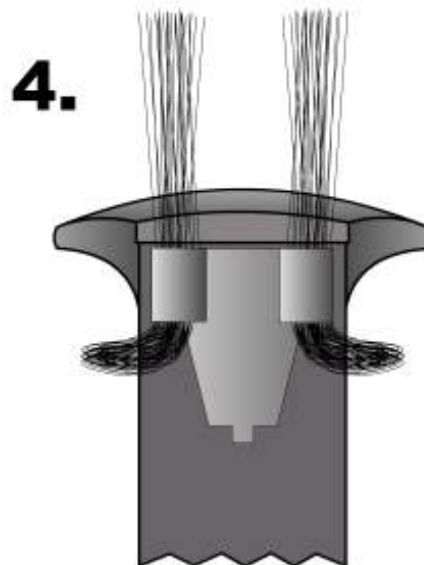
**RR Loop Stake Chaser  
with ears facing you**



**Bend loop of strands  
so they are on opposite  
side from metal ears**



**Slip bent loop onto  
spike with flat side of  
bracket against spike**



**Make sure the Stake Chaser® is as near the  
head of the spike as possible**